
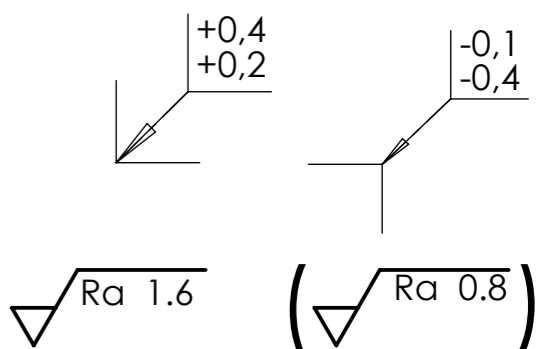
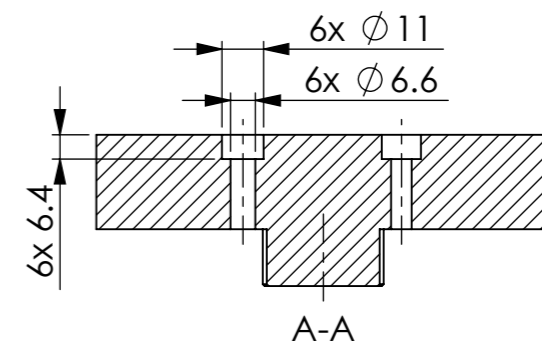
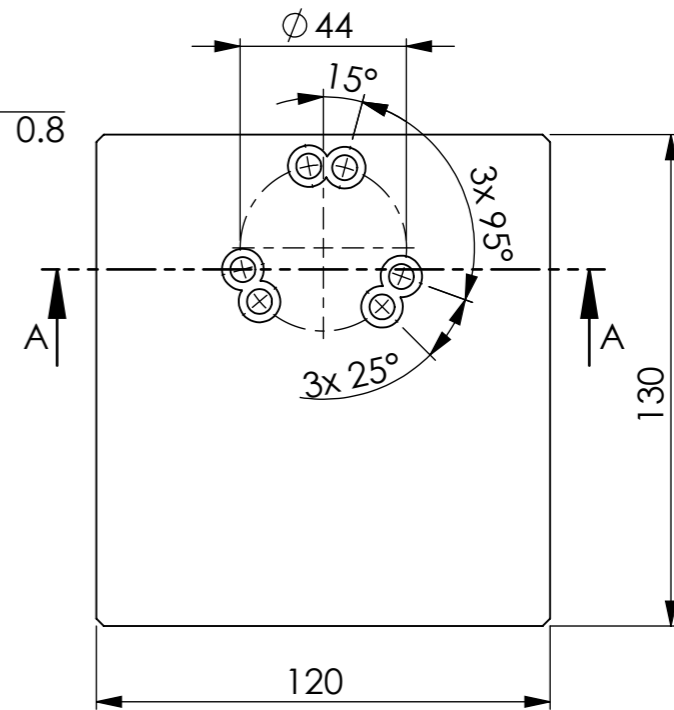
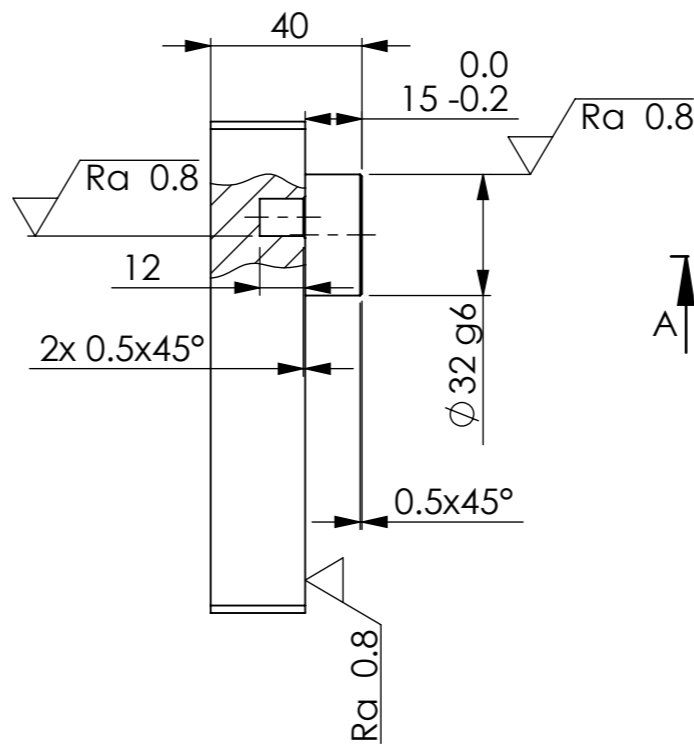
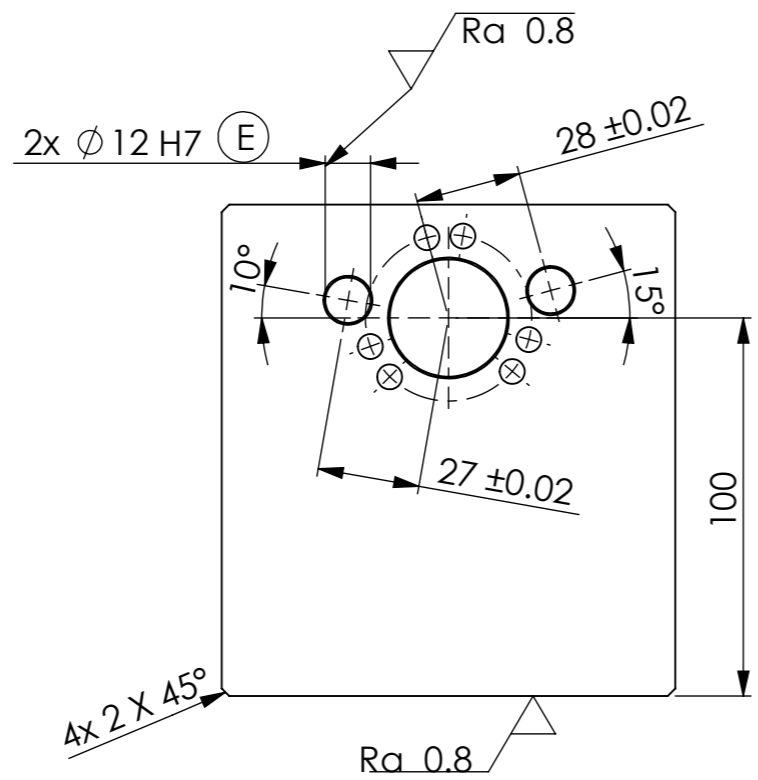
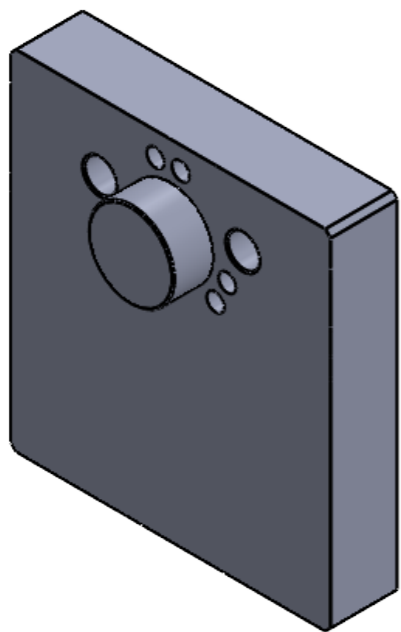


Aare
Aar


Kirchenfeldbrücke - Kornhausbrücke
Pont de Kirchenfeld - Pont de Kornhaus

Limit dimensions for angular dimensions, Tolerance Class ISO 2768-c			
≤ 10	> 10 - 50	> 50 - 120	> 120 - 400
± 1°30'	± 1°	± 30'	± 15'
Limit dimensions for length dimensions, Tolerance Class ISO 2768-m			
≤ 6	> 6 - 30	> 30 - 120	> 120 - 400
± 0.1	± 0.2	± 0.3	± 0.5

Drawing Number d-sm-1002	Part Number p-sm-1004	Material EN-AW 6082-T6	General Tolerance ISO 2768-m		
		Customer swissmechanic	Drawn	28.06.2022	T. Meyer
		Title Bern SwissSkills 2022 Paths	Checked	24.08.2022	I. Müller
Approved	29.08.2022		T. Meyer		
Revision	A		Format A4		
		SCALE 1:2	PAGE 2 OF 3		



Limit dimensions for angular dimensions, Tolerance Class ISO 2768-c			
≤ 10	> 10 - 50	> 50 - 120	> 120 - 400
± 1°30'	± 1°	± 30'	± 15'
Limit dimensions for length dimensions, Tolerance Class ISO 2768-m			
≤ 6	> 6 - 30	> 30 - 120	> 120 - 400
± 0.1	± 0.2	± 0.3	± 0.5

Drawing Number d-sm-1002	Part Number p-sm-1005	Material EN-AW-6082	General Tolerance ISO 2768-m		
		Customer swissmechanic	Drawn	28.06.2022	T. Meyer
		Title Bern SwissSkills 2022 Holder	Checked	24.08.2022	I. Müller
			Approved	29.08.2022	T. Meyer
			Revision	A	Format A4
			SCALE 1:2	PAGE 3 OF 3	