
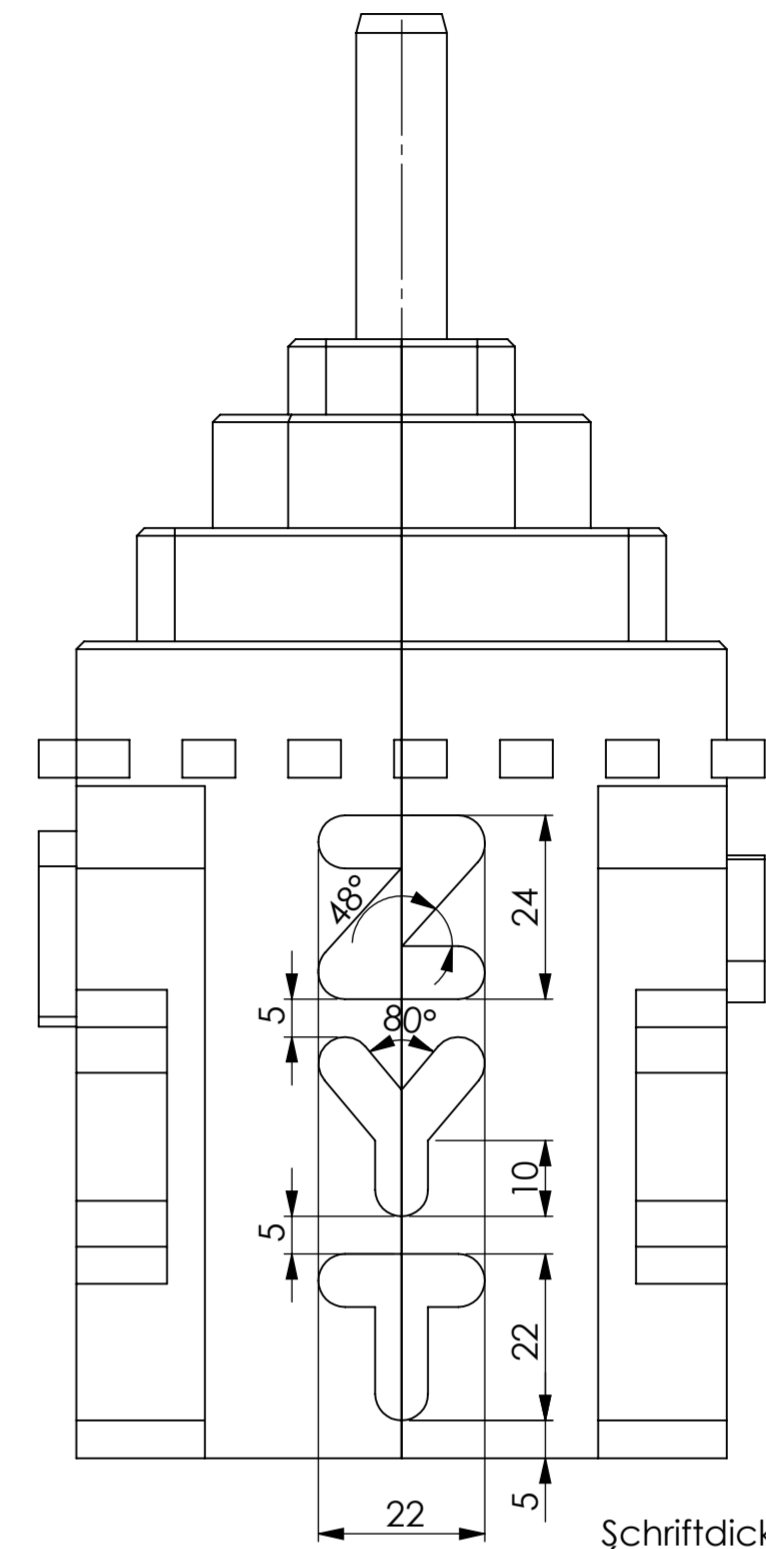
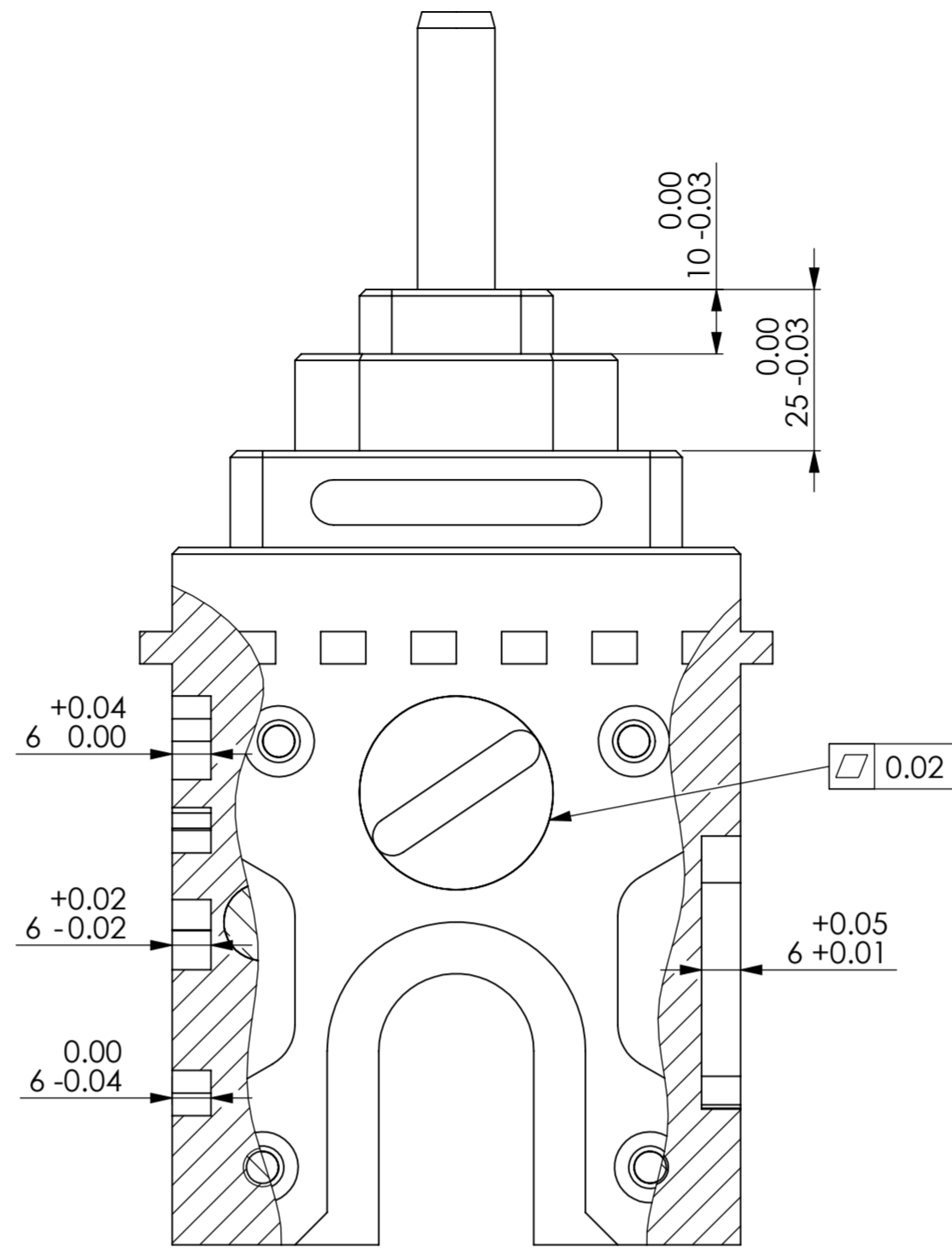
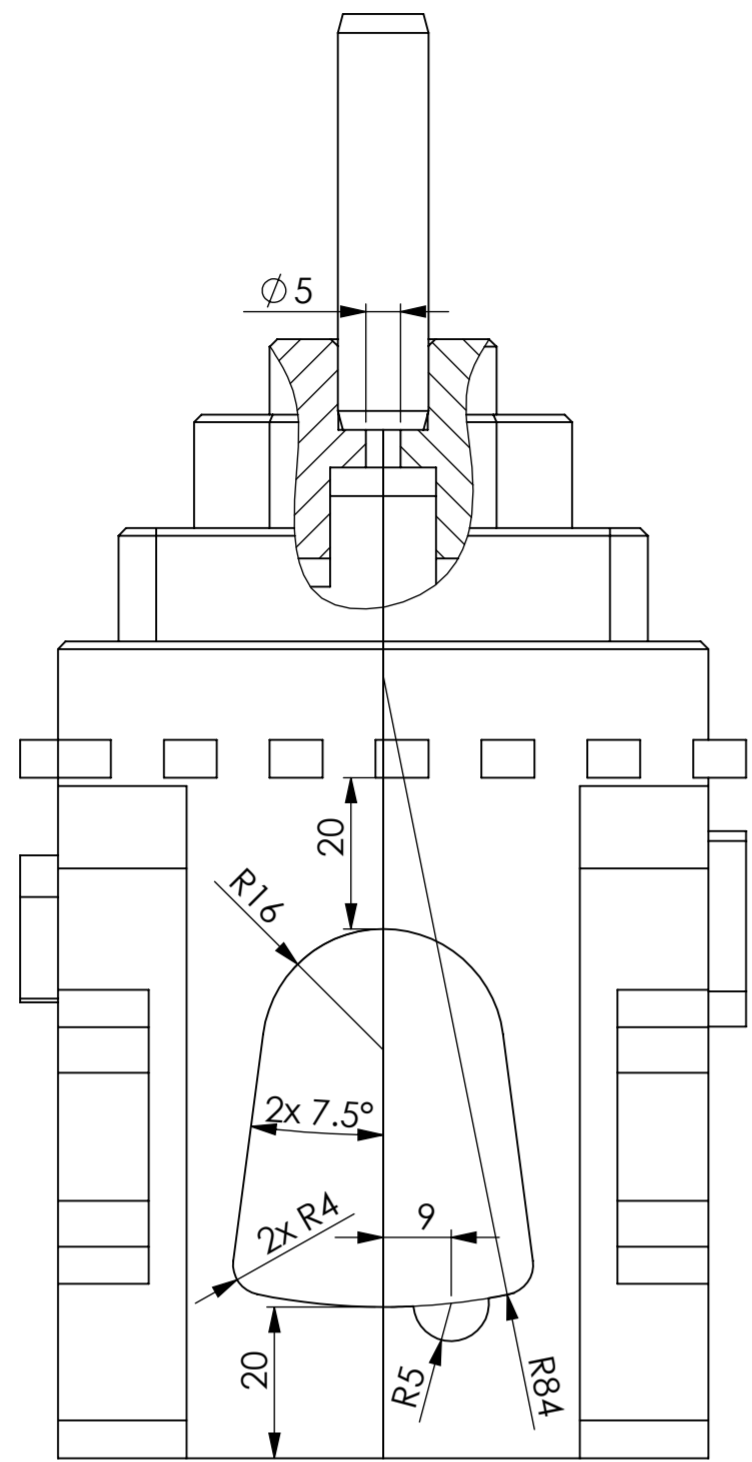


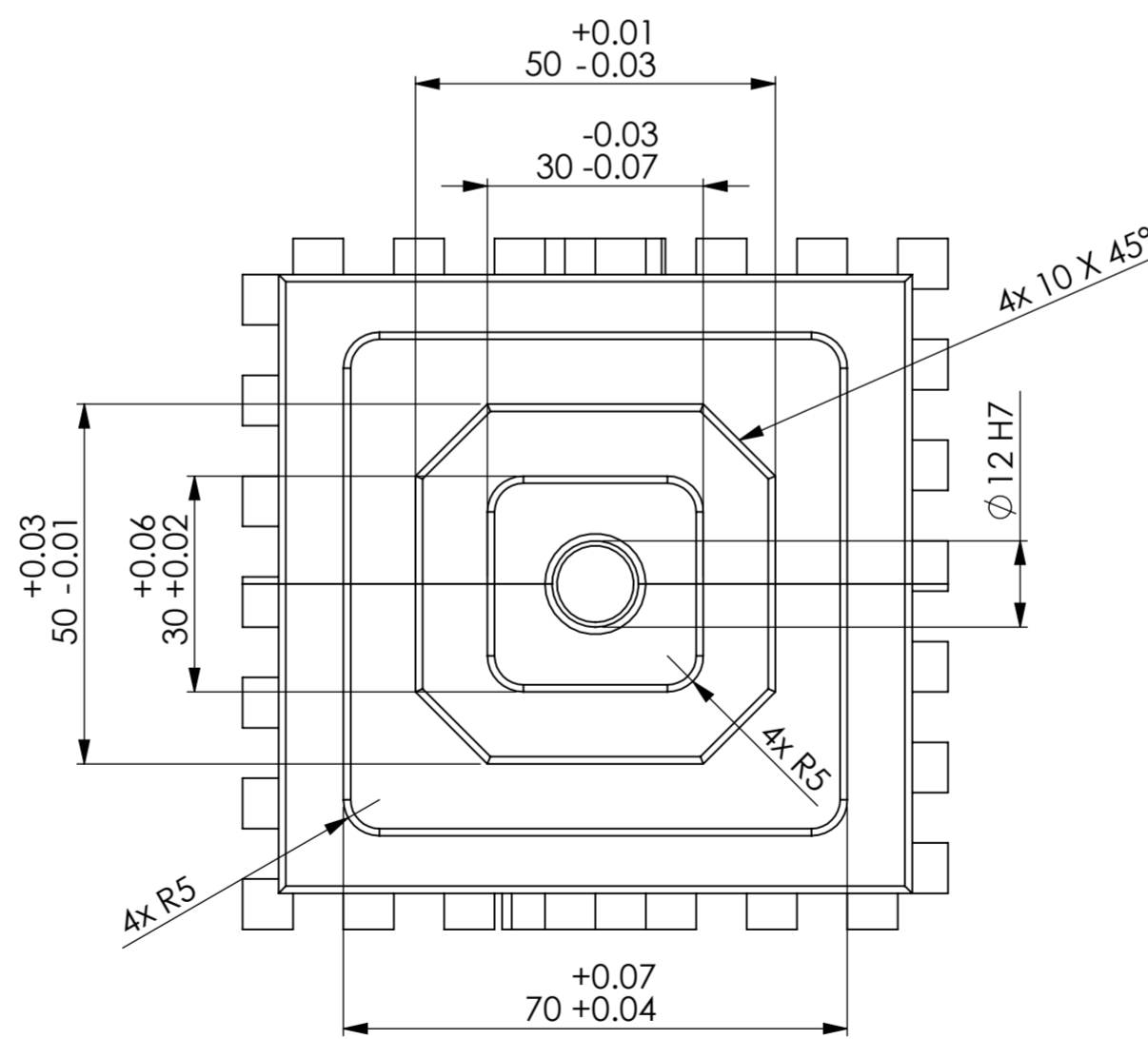
POS-NR. POS-NO.	NAME NOM	MENGE QUANTITÉ
1	p-sm-1001	1
2	p-sm-1002	1
3	p-sm-1003	1
4	DIN 912 M6 x 50 --- 24N	4
5	Zyl_Stift_12_h6_DIN_6325	2
6	DIN EN 28734 - 12 x 55 - A - St	1

Limit dimensions for angular dimensions, Tolerance Class ISO 2768-c			
≤ 10	> 10 - 50	> 50 - 120	> 120 - 400
± 1°30'	± 1°	± 30'	± 15'
Limit dimensions for length dimensions, Tolerance Class ISO 2768-m			
≤ 6	> 6 - 30	> 30 - 120	> 120 - 400
± 0.1	± 0.2	± 0.3	± 0.5

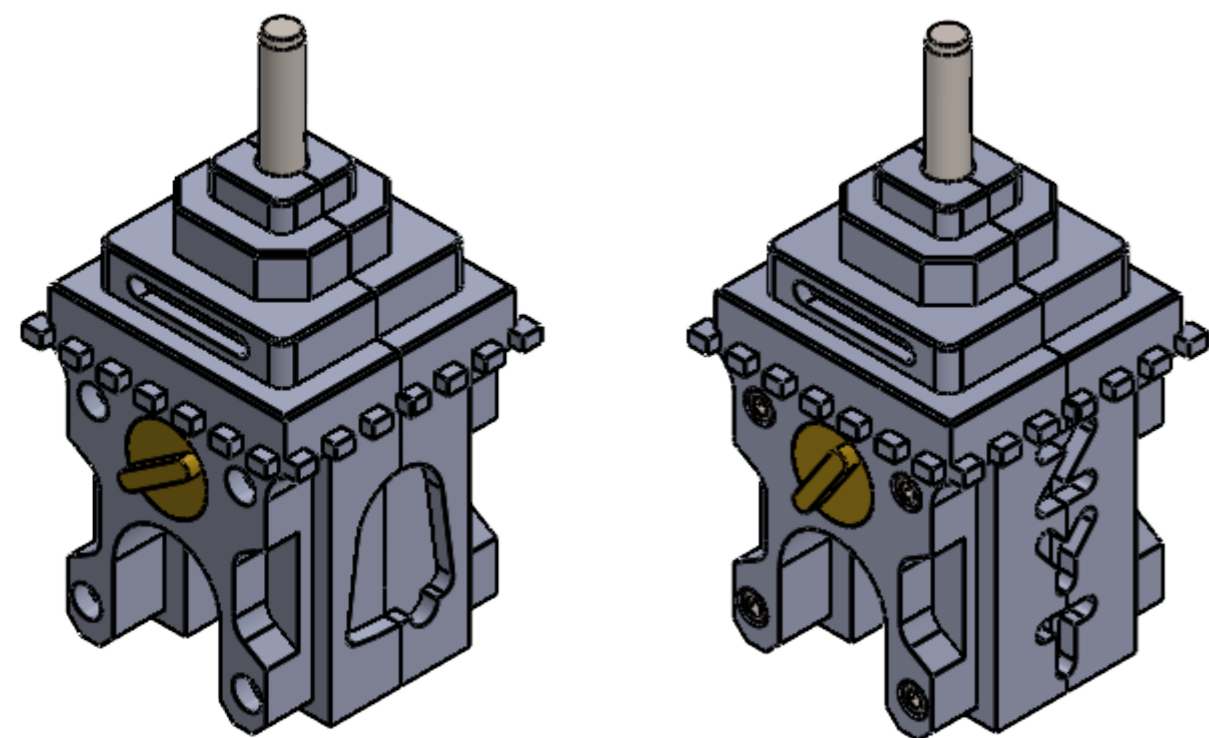
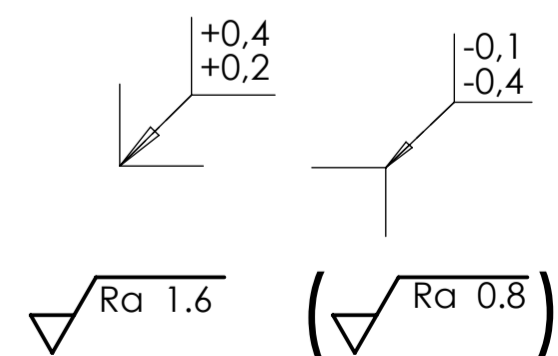
Drawing Number d-sm-1001	Part Number a-sm-1001	Material -	General Tolerance ISO 2768-m		
		Customer swissmechanic	Drawn	09.04.2022	T. Meyer
		Title Zytlglogge SwissSkills 2022 Explosion Drawing	Checked	15.06.2022	S. Tönz
			Approved	29.08.2022	T. Meyer
		Revision	A	Format A3	
SCALE 1:5		PAGE 1 OF 4			




Schriftdicke 7 H8  
Épaisseur des caractères 7 H8



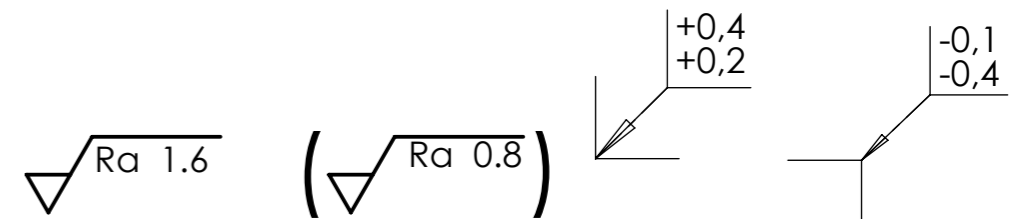
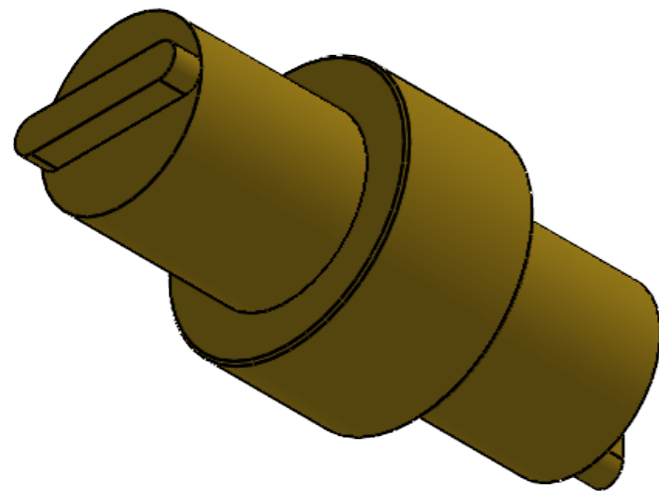
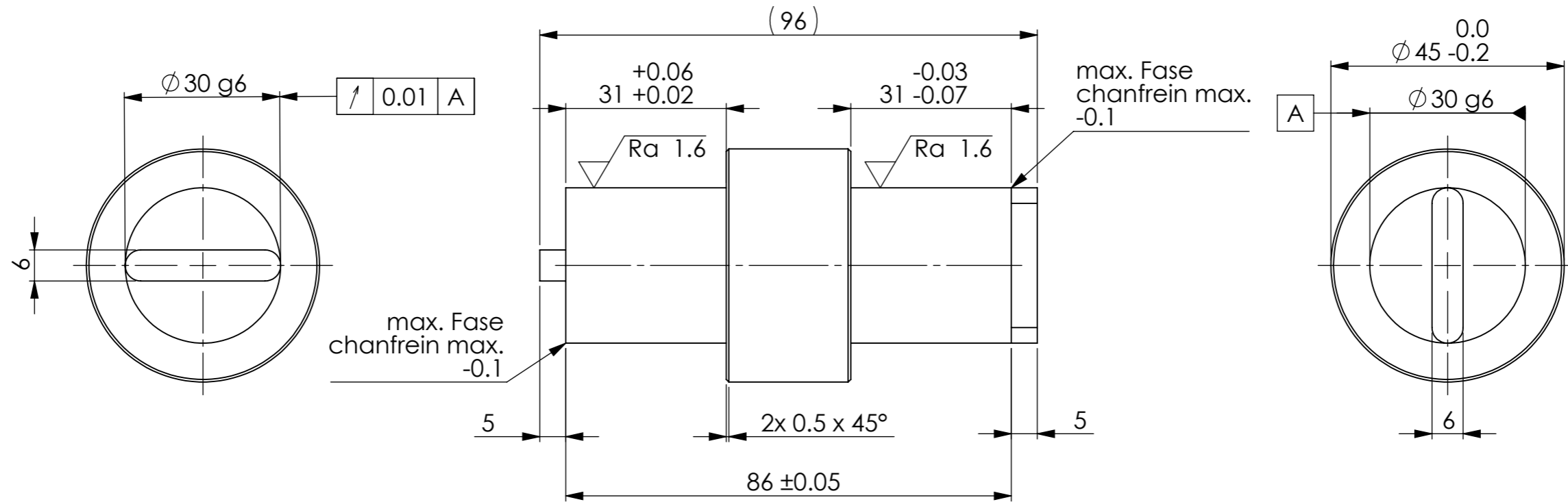
Alle nicht bemasteten Fasen 1x 45°  
Tous les chanfreins non dimensionnés 1x 45°



Limit dimensions for angular dimensions, Tolerance Class ISO 2768-c			
≤ 10	> 10 - 50	> 50 - 120	> 120 - 400
± 1°30'	± 1°	± 30'	± 15'
Limit dimensions for length dimensions, Tolerance Class ISO 2768-m			
≤ 6	> 6 - 30	> 30 - 120	> 120 - 400
± 0.1	± 0.2	± 0.3	± 0.5


Drawing Number d-sm-1001	Part Number a-sm-1001	Material -	General Tolerance ISO 2768-m		
		Customer swissmechanic	Drawn	09.04.2022	T. Meyer
		title	Checked	15.06.2022	S. Tönz
		Zytglogge SwissSkills 2022 Assembly	Approved	29.08.2022	T. Meyer
		Revision	A	Format A2	
SCALE 1:2			PAGE 2 OF 4		





Ausrichtung Steg 6 mm nicht massgebend  
Alignement Entretoise de 6 mm non dimensionnelle

Limit dimensions for angular dimensions, Tolerance Class ISO 2768-c			
≤ 10	> 10 - 50	> 50 - 120	> 120 - 400
± 1°30'	± 1°	± 30'	± 15'
Limit dimensions for length dimensions, Tolerance Class ISO 2768-m			
≤ 6	> 6 - 30	> 30 - 120	> 120 - 400
± 0.1	± 0.2	± 0.3	± 0.5

Drawing Number d-sm-1001	Part Number p-sm-1003	Material CuZn39Pb3	General Tolerance ISO 2768-m		
		Customer swissmechanic	Drawn	08.03.2022	T. Meyer
		Title Zytglogge SwissSkills 2022 Pointer	Checked	15.06.2022	S. Tönz
Approved	29.08.2022		T. Meyer		
Revision	A		Format A3		
SCALE 1:1			PAGE 4 OF 4		