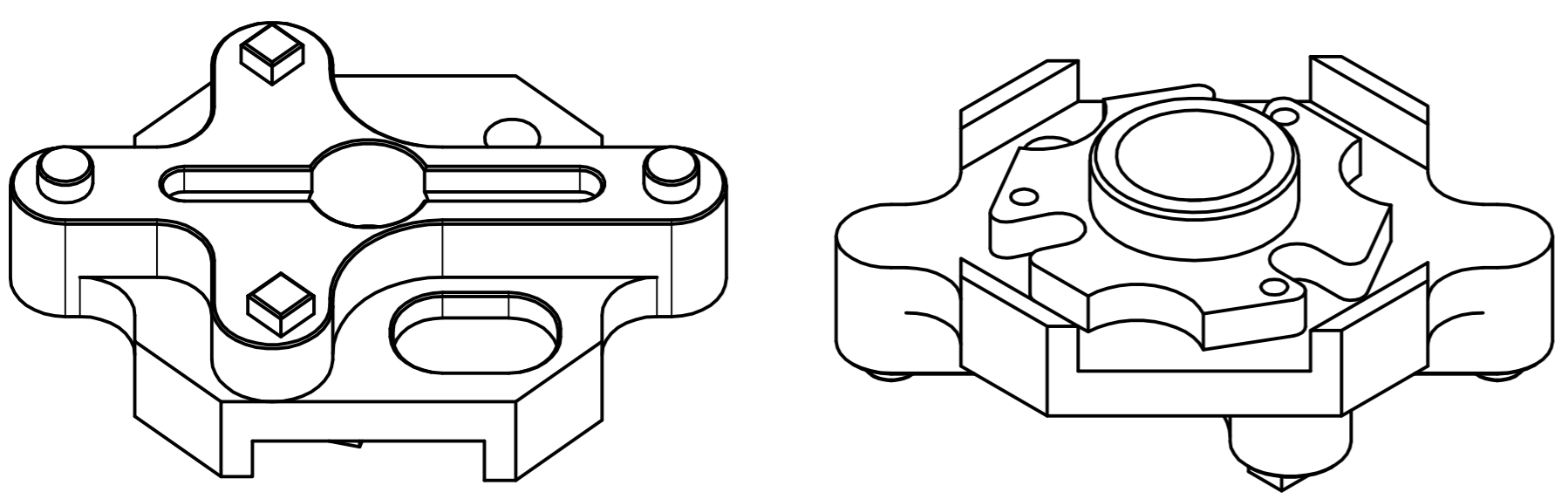


+0.4  
-0.2  
-0.3

Ra 3.2



general tolerance ISO 2768-mK  
Allgemeintoleranzen ISO 2768-mK  
tolerance DIN 7167  
Toleranz DIN 7167  
not tolerated linear dimension ±0.1  
nicht tollerierter Längenmasse ±0.1  
not tolerated facet 0.5 x 45°  
nicht vermasste Fasen 0.5 x 45°

Material: EN-AW-Al MgSi

Test Project for 4<sup>1st</sup> WorldSkills  
Competition in London, United Kingdom 2011.  
Copyright © 2009 Worldskills International.  
All Rihts Reserved.



22 H7	+0,021 0	Skill: 07 CNC Milling		ISO E
10 H7	+0,015 0	Scale: 1:1	Date: 01.09.11 Paper: A2	
Fit size Passmass	Limits Grenzmasse	Drawn/Design by: LIECHTENSTEIN		Drawing No: Mod#1
Description: Module 1			Rev:	Page: